



GENERAL MEASURING GUIDELINES FOR ALL POOL SHAPES

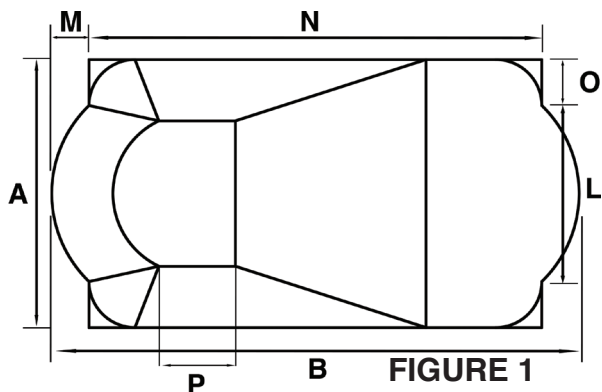
- Measuring a pool will be easier if you have another person helping you.
- Draining the pool will also make the process of measuring your pool easier; however, it is not always necessary, as many pools can be measured with water in them.
- Never assume a pool is standard. All pools are different. Most importantly, measure the pool for an exact fit. Actual pool measurements should be made even if original pool plans are available, due to the fact that slight variances may have occurred during construction.
- When measuring pools, do not make allowances for weather conditions, temperature, or the fact that vinyl shrinks and expands. These calculations are made when the new liner is designed.
- Supply all measurements in feet and inches with appropriate marks (' and "), rounding up to the nearest quarter-inch on liner-covered features, such as steps, ledges, and benches. Round up to the nearest half-inch on all other measurements. **Good Example: 17' 11 1/2"** - **Bad Example: 17.5**
- Follow the "step-by-step" measuring instructions carefully, referring to all diagrams to ensure accurate measurements.
- Remember to include your name, pool location address, phone and fax numbers, and email address on each page that you send to Doughboy Vinyl Technologies. You must also sign off on an approval drawing of the liner before we can begin building the liner.
- Remember to record all of your measurements and place them in the proper lines/boxes on the proper form(s). You may need to transfer measurements you have made on the "MEASURING INSTRUCTIONS" pages onto the actual measuring form.
- Write your measurements legibly, using BLACK INK. (NO PENCIL OR FELT-TIP MARKER, PLEASE!) Make copies of all pages for your records before sending them to us. Scan and send documents as PDF, and send pictures as necessary. You will need to refer to your copies if we have questions regarding your measurements.
- When in doubt, give us a call at (731) 345-4500.

DISCOVER THE DOUGHBOY DIFFERENCE

MEASURING INSTRUCTIONS - STEP-BY-STEP

ROMAN END POOLS

STEP #1: MEASURE THE HORIZONTAL LENGTHS SHOWN



Referring to the illustration of the Roman End pool (Figure 1), be sure that the measurements are made at the bead receiver (where the liner snaps into the track), and not at the edge of the coping (the edge of the pool deck). See Figure 2.

INDICATE ON THE MEASUREMENT FORM IF IT IS A SINGLE ROMAN END OR A DOUBLE ROMAN END.

RECORD MEASUREMENTS ON THE MEASURING FORM.

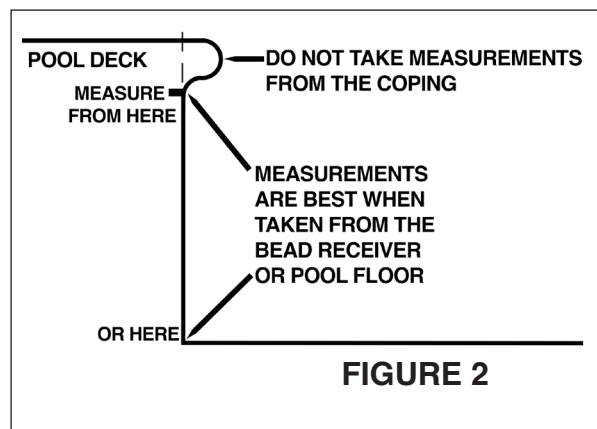


FIGURE 2

STEP #2: MEASURE THE CORNERS & CROSS DIAGONALS

For a Roman End pool, you will need to measure the diagonals (#1, #2, & #3). Refer to Figure 3 to locate the diagonals. Remember to use the bead receiver (pool edge) as the reference point. The diagonals are often overlooked, but they are important, as few pools are perfectly square. There can be a substantial difference end-to-end in a pool, and that needs to be noted if a liner is to fit properly. CAD engineers can adjust for out of square pools. Measure the diagonals from the squared corners.

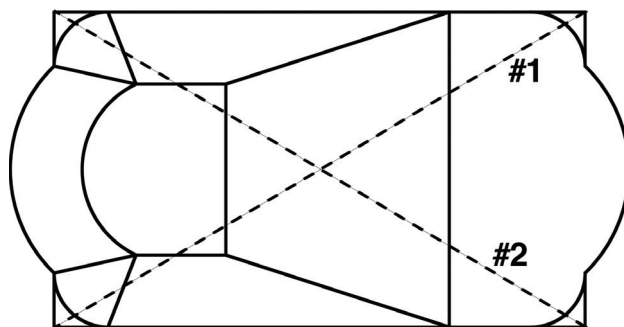


FIGURE 3

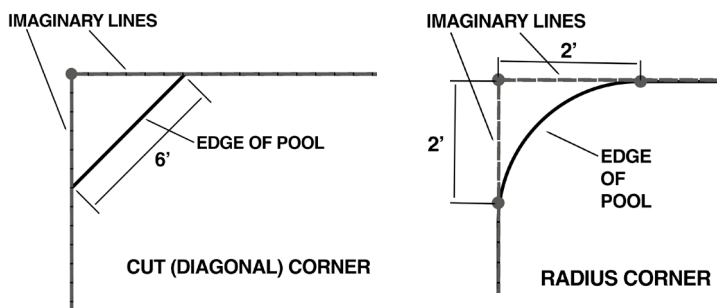


FIGURE 4

Measure the diagonals from the squared corners. If the corners of your pool are rounded (radius) or cut (diagonal), be sure to measure to squared corners. Refer to the diagrams (Figure 4) for instruction on measuring to the squared corners.

RECORD MEASUREMENTS ON THE MEASURING FORM.

STEP #3: MEASURE THE DIMENSIONS (HORIZONTALLY AND VERTICALLY)

Choose the bottom contour of your pool from the illustration shown in Figure 5 to determine which measurements you will need to take.

HOW DO I MEASURE THE BOTTOM OF THE POOL?

You will be able to make horizontal measurements of the pool bottom without entering the pool. Taking these measurements is easier than you may think when you use this easy-to-make measuring tool.

You will need:

- 1) A long, straight pole (telepole, pool pole, or equivalent)
- 2) String attached to the end of the pole
- 3) Some sort of weight tied to the other end of the string, such as a plumb bob
- 4) A measuring tape

Follow the instructions below, using your “fishing pole”, to make these measurements.

Horizontal Bottom Measurements

Use your “fishing pole” to “fish” for a point on the bottom of the pool. With the pole parallel to the ends of the pool and the string vertical (allow no slack in the string), measure the distance from the edge of the pool (water’s edge) to the desired measurements based on the bottom contour of your pool. For example, to take measurement I or K, you would stand on one side of the pool, and “fish” for a corner of the hopper. You would then measure the distance from the edge of the pool (pool wall) to the end of the pole where the string is attached.

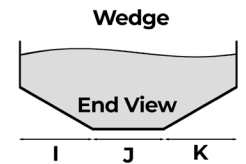
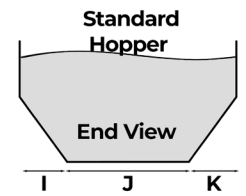
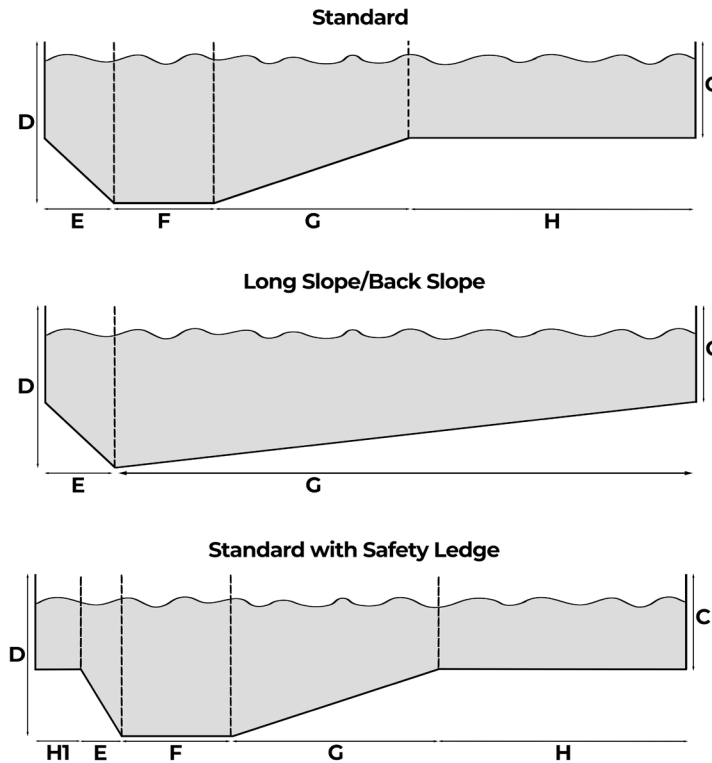
Depth Measurements

When taking the depth measurements (C and D), be sure to measure from the bottom of the pool floor to the bead receiver. Do not measure to the top of the pool; otherwise, your measurement will be incorrect.

Be sure you are NOT measuring a slope when taking horizontal bottom measurements. We only use measurements parallel to the deck.

RECORD MEASUREMENTS ON THE MEASURING FORM.

DOUBLE CHECK YOUR MATH TO ENSURE THE LENGTHS EQUAL MEASUREMENT B AND THE END VIEW MEASUREMENTS EQUAL A. IF THEY DO NOT, THE POOL AND/OR THE LINER WILL BE OUT OF SQUARE.

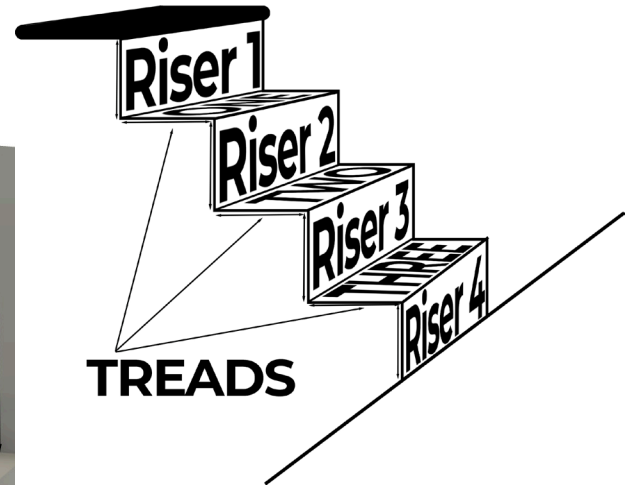
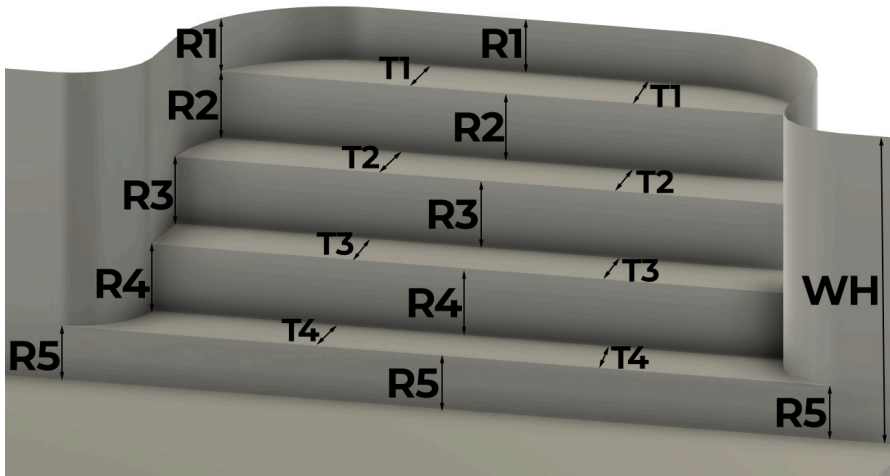


Record the measurements is as if you are in the shallow end looking at the deep end.

FIGURE 5

STEP #5: MEASURE ANY FEATURES THAT WILL BE COVERED IN VINYL, INCLUDING STEPS, BENCHES, AND LEDGES.

If your pool has built-in steps, benches, or ledges that are covered with vinyl, you must complete the separate Measuring Form for Liner-Covered Features. Be sure to read our separate In-Ground Steps Measuring Guide for more details. Don't assume that all Risers and Treads will be the same. If you find variations, record all of them, or average them to the best of your ability. Always refer to our CAD department for help. Sending pictures with your measurements will help us see what you measure. If your pool has no liner-covered features, move to Step #6. .



STEP #6: INDICATE WALL SEAM PLACEMENT

By default, the wall seam placement is in the center of the shallow end. However, if the pool has steps in a different location, the wall seam can be placed in the center of the step. Indicate on the MEASURING FORM where the seam should be located if other than the center shallow end.

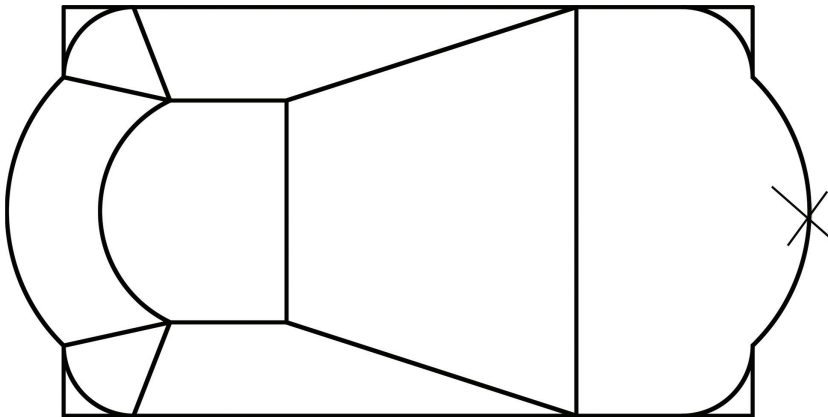


FIGURE 7

RECORD MEASUREMENTS ON THE MEASURING FORM.

MEASURING FORM ROMAN END

COMPANY NAME: _____

EMAIL: _____ PHONE: _____

CUSTOMER/JOB NAME: _____

POOL LOCATION ADDRESS: _____

PATTERN: _____ BEAD TYPE: _____

DIMENSIONS (see page 2-3)

ROMAN END: SINGLE or DOUBLE (circle one)

A (Width): _____

B (Length): _____

Diagonal #1: _____

Diagonal #2: _____

C (Wall Height): _____

D (Depth): _____

E (Back Slope): _____

F (Hopper Length): _____

G (Long Slope): _____

H (Shallow End): _____

I* (Left Side Slope): _____

J* (Hopper Width): _____

K* (Right Side Slope): _____

L (Roman Radius Width): _____

M (Roman Radius Length): _____

N (Rectangle Wall Length): _____

O (Corner Width): _____

P (Hopper Straight Length): _____

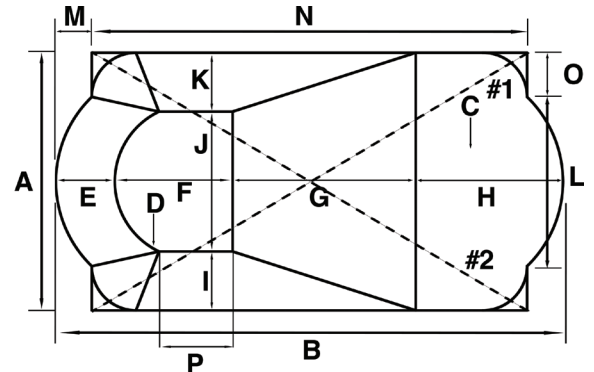
H1 (Safety Ledge): _____

*Standing in Shallow End

CORNER TYPE (see page 2)

- Square (90°)
- Cut (Diagonal) Size: _____
- Radius (Rounded) Size: _____

INDICATE WALL SEAM LOCATION AND/OR LOCATION OF STEPS



VINYL-COVERED STEPS?

Please attach all additional information. You can use the second page and complete a drawing or include drawings/schematics See our In-Ground Steps Measuring Guide.

P.O. #:

Signature:

Your signature indicates that you have verified your measurements and that the information you have provided is correct.

ADDITIONAL COMMENTS



MEASURING FORM LINER-COVERED FEATURES

COMPANY NAME: _____

EMAIL: _____ PHONE: _____

CUSTOMER/JOB NAME: _____

POOL LOCATION ADDRESS: _____

PATTERN: _____ BEAD TYPE: _____

Illustrate the liner-covered features using the graph below. Be sure to include tread lengths, tread widths, risers, locations, etc. below.

